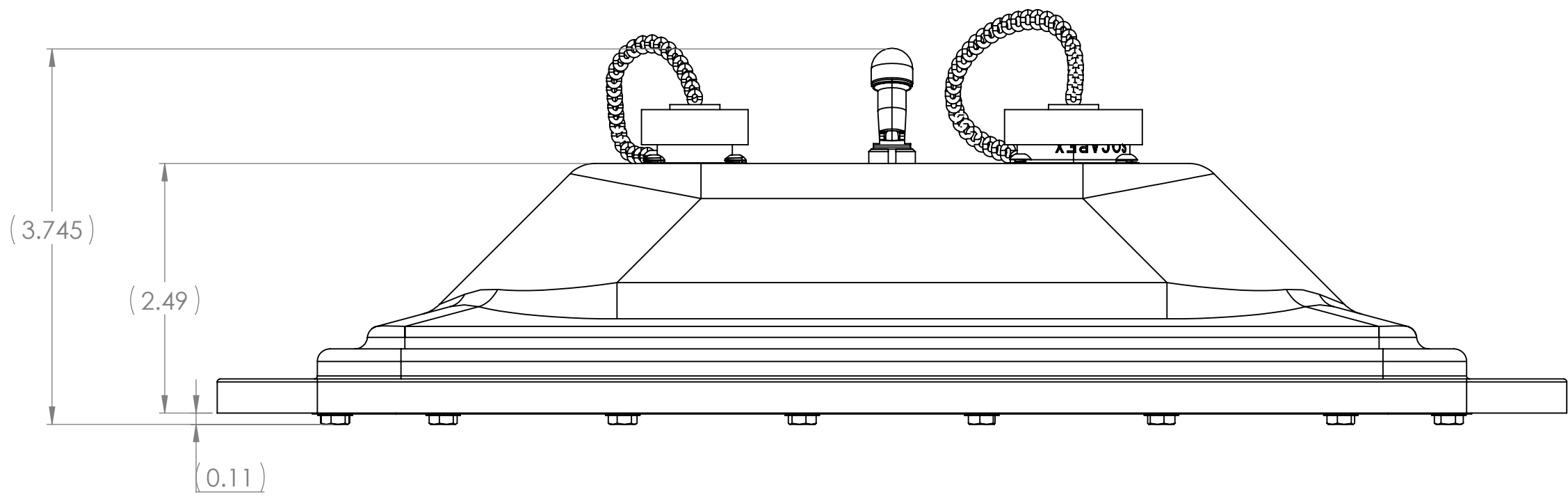
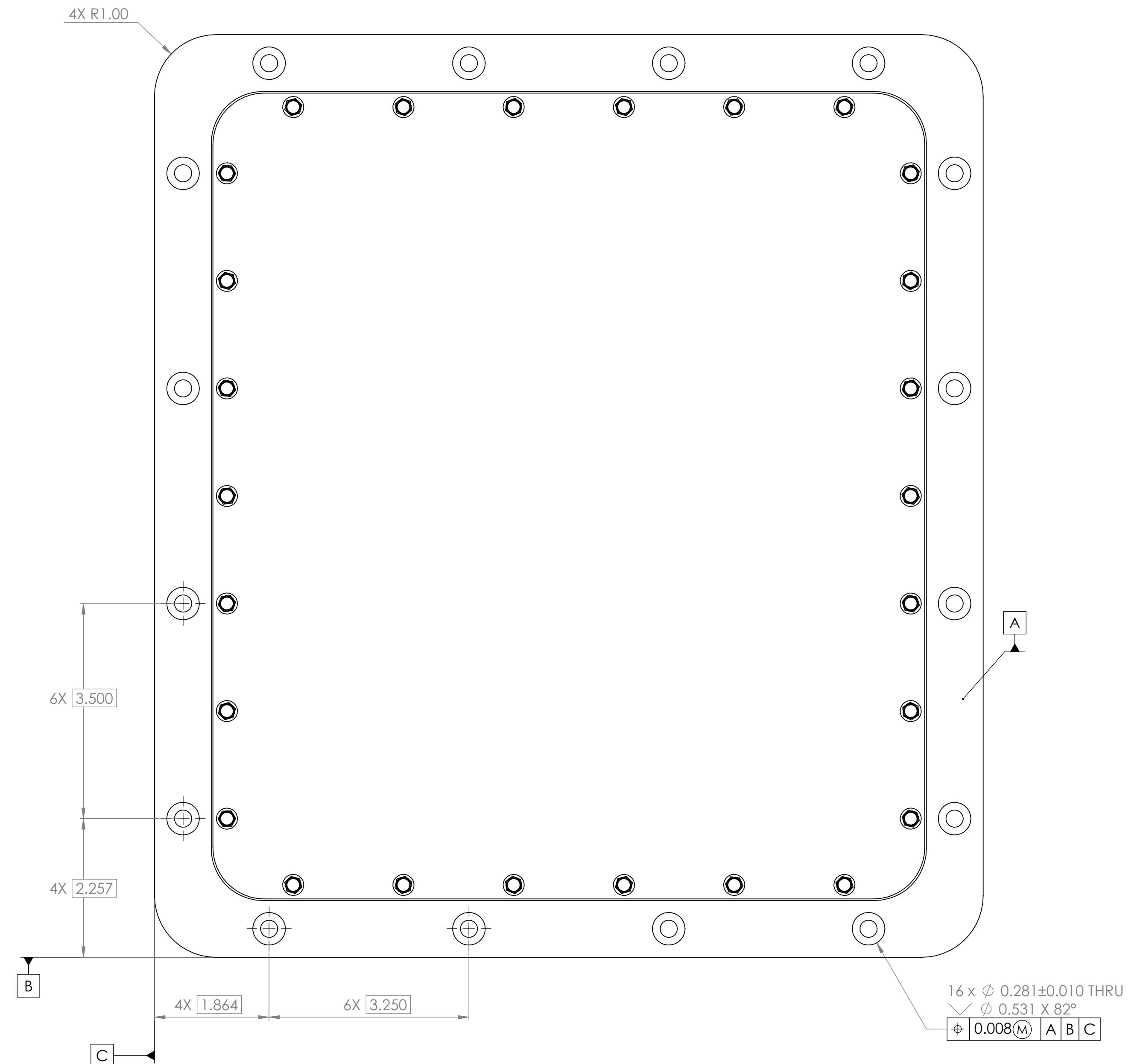
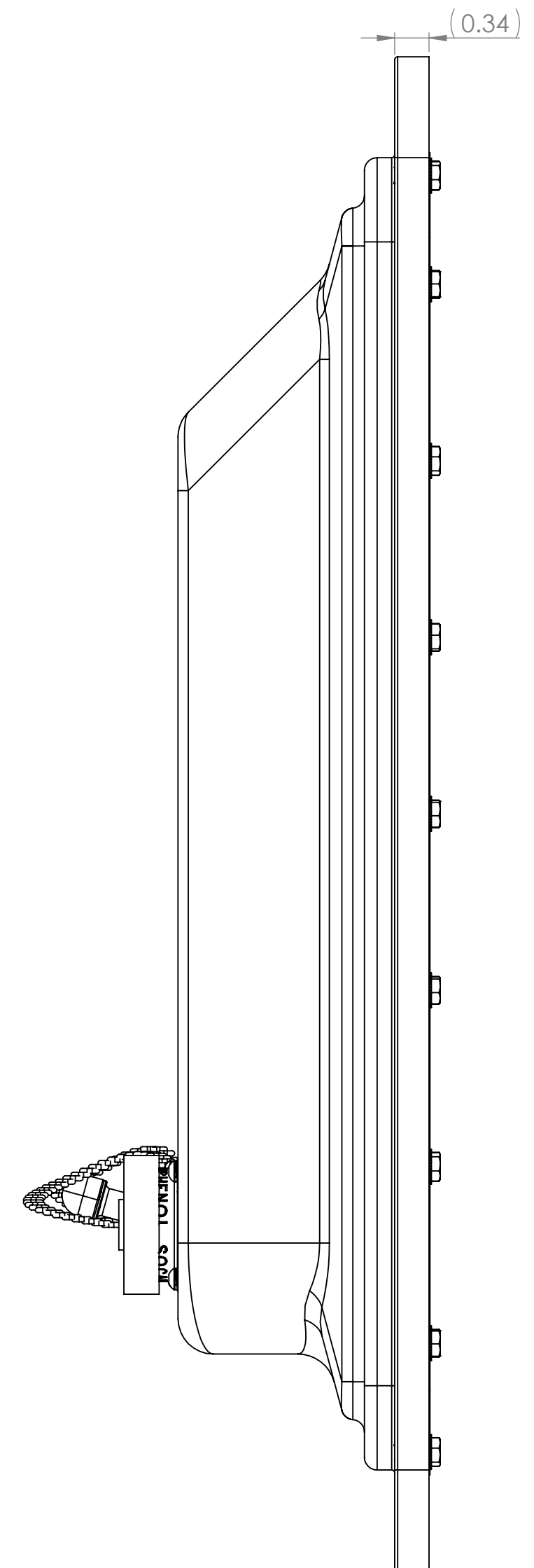
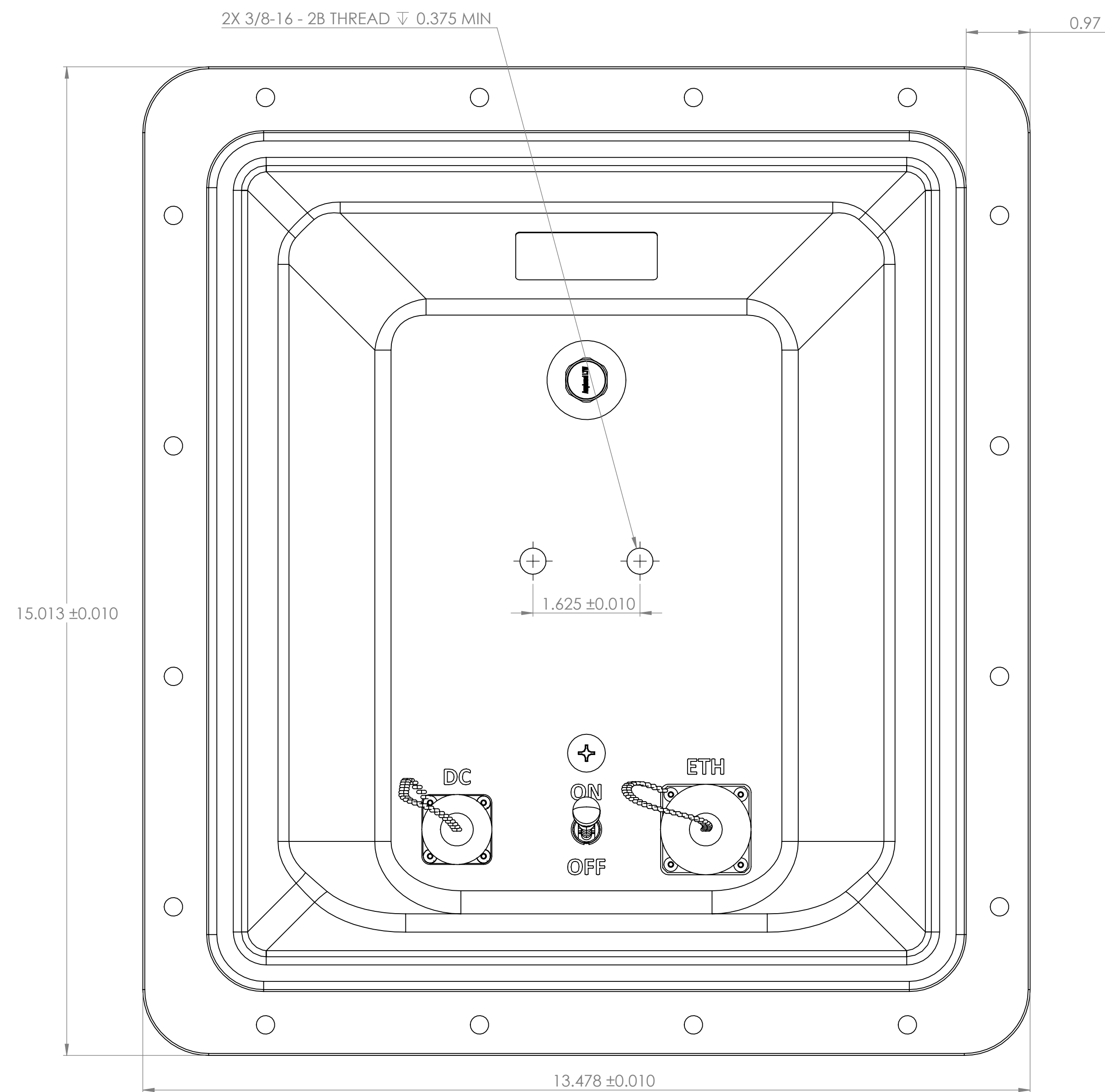


REVISIONS				
ZONE	REV.	DESCRIPTION	DATE	APPROVED
	-	INITIAL RELEASE	6/17/25	AJ M.



NOTES:

▶ ENSURE CONNECTOR ORIENTATION OF ETH AND DC CONNECTORS - NOTE ARROW DIRECTION.

<b>DO NOT SCALE DRAWING</b>		3RD ANGLE PROJECTION		TITLE: <b>STORM MINI CCA MCID</b>	
INTERPRET PER ASME Y14.5M-2009		MATERIAL:	NAME	DATE	
DIMENSIONS ARE IN INCHES UNLESS OTHERWISE SPECIFIED		NA	AJ M.	6/17/25	
TOLERANCES:		CHECKED	ENG APPR.		
FRACTIONAL: $\pm$ 1/16"		FINISH:	PROPRIETARY AND CONFIDENTIAL		
ANGULAR: $\pm$ 1°		NA	THIS DRAWING IS THE SOLE PROPERTY OF COPASAT. ANY REPRODUCTION IN PART OR AS A WHOLE WITHOUT THE WRITTEN PERMISSION OF COPASAT IS PROHIBITED.		
ONE PLACE DECIMAL: $\pm$ 0.1		SIZE			
TWO PLACE DECIMAL: $\pm$ 0.01		D			
THREE PLACE DECIMAL: $\pm$ 0.005		PART. NO.		REV	
		CS-G1-030650		-	
		SCALE: 3:4		WEIGHT: LBS	
				SHEET 1 OF 1	

**COPASAT**