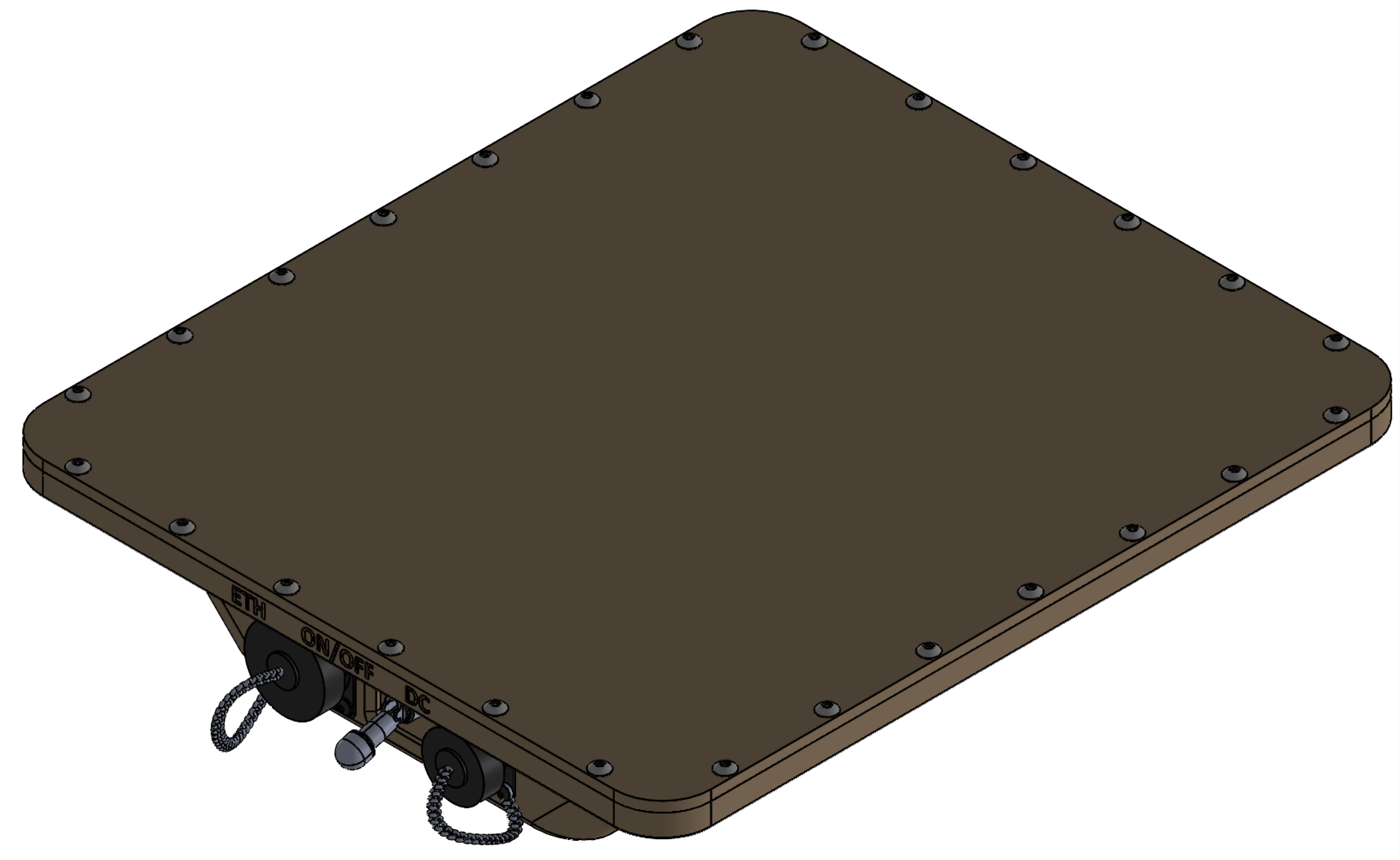
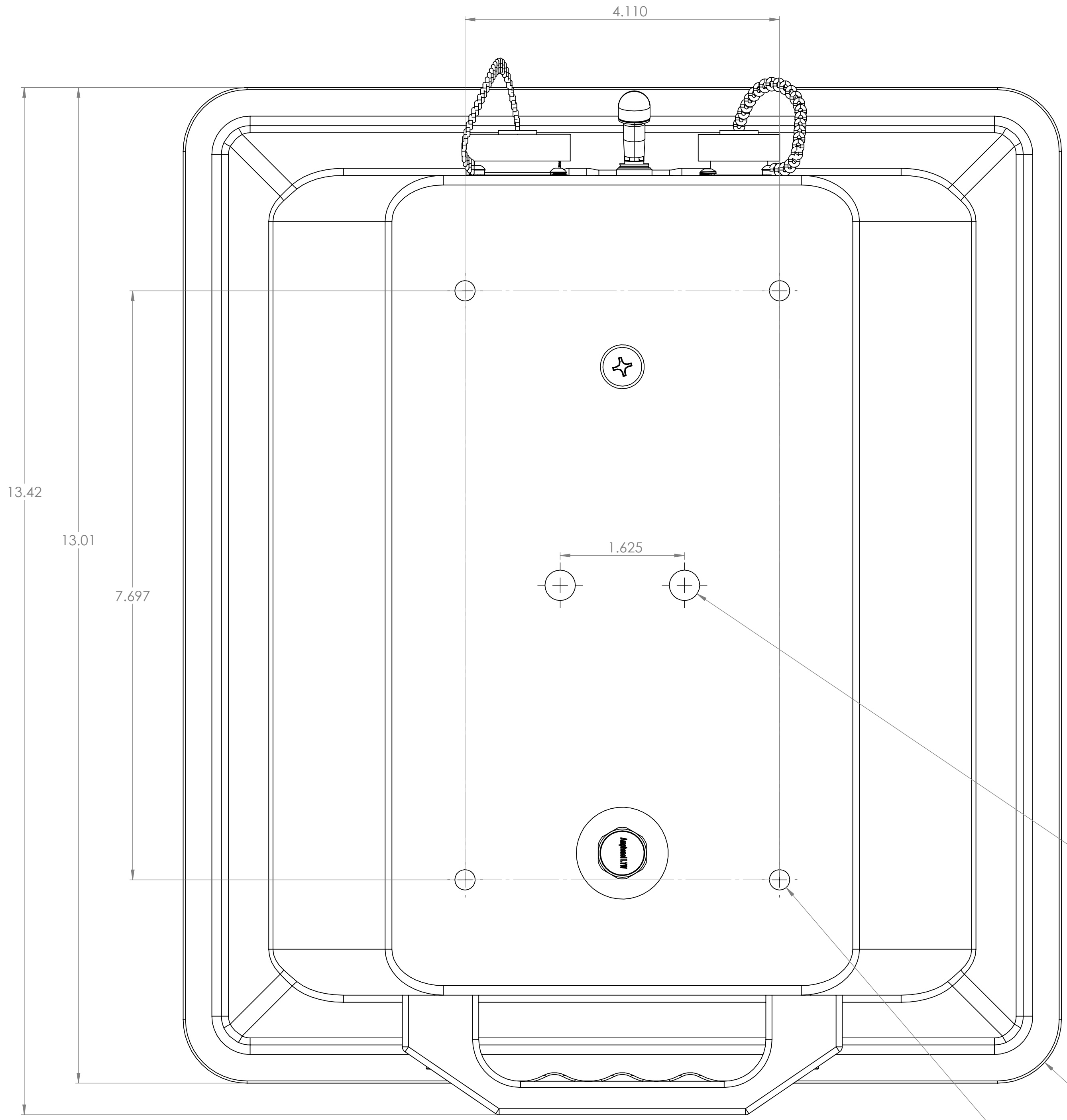
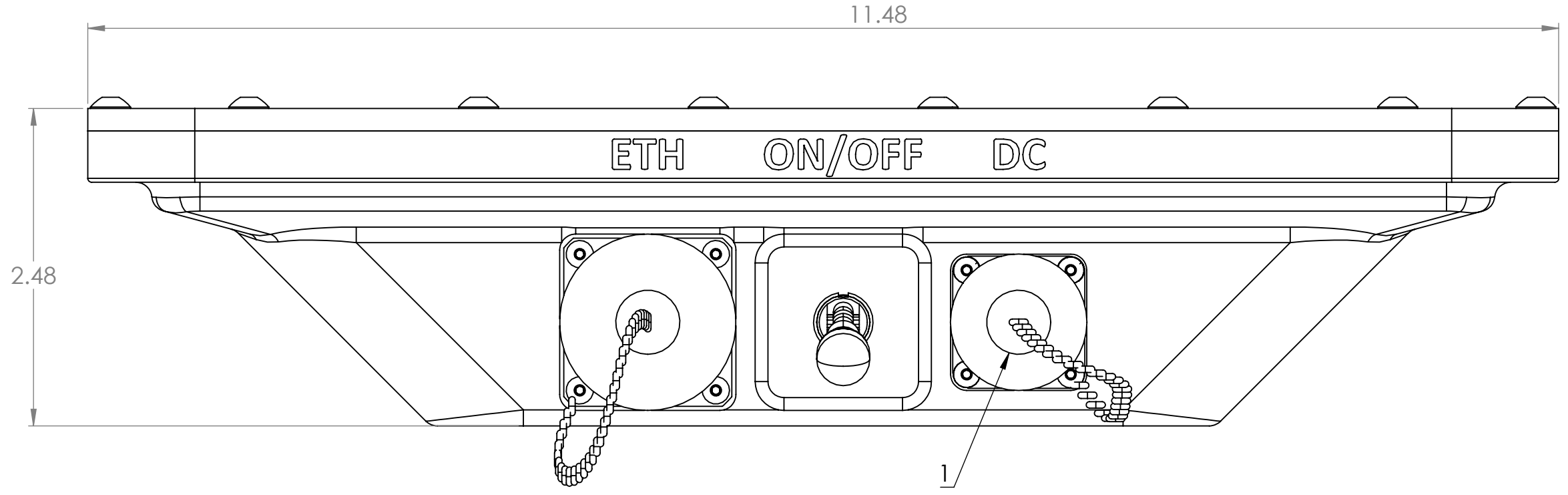


8 7 6 5 4 3 2 1

REVISIONS				
ZONE	REV.	DESCRIPTION	DATE	APPROVED
	-	INITIAL RELEASE	10/22/24	AJ.M.



ISO VIEW FOR REFERENCE ONLY

CONNECTOR INTERFACE TABLE				
FN	DESCRIPTION	MANUFACTURER PN	MATING CONNECTOR PN	VENDOR
1	DC IN	PT02E-12-10P(025)	PT06E-12-10S(470)	AMPHENOL

DO NOT SCALE DRAWING

INTERPRET PER ASME Y14.5M-2009
 DIMENSIONS ARE IN INCHES
 UNLESS OTHERWISE SPECIFIED
 TOLERANCES:
 FRACTIONAL: ±1/16"
 ANGULAR: ±1°
 ONE PLACE DECIMAL: ±0.1
 TWO PLACE DECIMAL: ±0.01
 THREE PLACE DECIMAL: ±0.005

3RD ANGLE PROJECTION

MATERIAL:	NAME	DATE
NA	AJ.M.	10/22/24
CHECKED:	ENG APPR.	
NA		

PROPRIETARY AND CONFIDENTIAL
 THE INFORMATION CONTAINED IN
 THIS DRAWING IS THE SOLE
 PROPERTY OF COPASAT. ANY
 REPRODUCTION IN PART OR AS A
 WHOLE WITHOUT THE WRITTEN
 PERMISSION OF COPASAT IS
 PROHIBITED.

COPASAT

TITLE:
**STORM MINI
 MECHANICAL ICD**

SIZE	PART. NO.	REV
D	CS-G1-030600	-

SCALE: 1:1 WEIGHT: LBS SHEET 1 OF 1

8 7 6 5 4 3 2 1